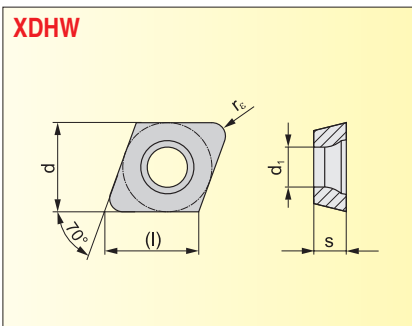
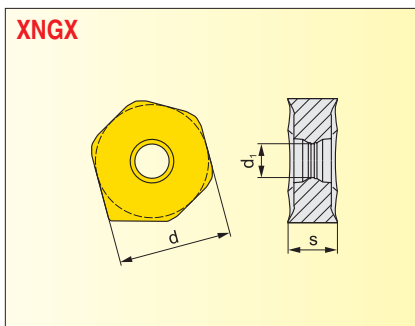


**VYMĚNITELNÉ BŘITOVÉ DESTIČKY  
VYMENITELNÉ REZNÉ DOŠTIČKY**



| Velikost<br>Velkost | (l)  | d      | d <sub>1</sub> | s    | r <sub>ε</sub> |
|---------------------|------|--------|----------------|------|----------------|
| <b>0702</b>         | 6,9  | 6,500  | 2,95           | 2,38 | 1,0            |
| <b>10T3</b>         | 10,6 | 10,000 | 3,95           | 3,97 | 1,0            |
|                     |      |        |                |      |                |
|                     |      |        |                |      |                |
|                     |      |        |                |      |                |
|                     |      |        |                |      |                |
|                     |      |        |                |      |                |
|                     |      |        |                |      |                |

| Utvařec<br>Utvarač | ISO                  | ANSI           | Materiály |      |  |  |  |  |  |  |  |  | Rádus          |                  |                  | Posuv na zub       |                    |  | Hloubka řezu<br>Hĺbka rezu |  |  |  |  |
|--------------------|----------------------|----------------|-----------|------|--|--|--|--|--|--|--|--|----------------|------------------|------------------|--------------------|--------------------|--|----------------------------|--|--|--|--|
|                    |                      |                | 7010      | 7025 |  |  |  |  |  |  |  |  | r <sub>ε</sub> | f <sub>min</sub> | f <sub>max</sub> | a <sub>p min</sub> | a <sub>p max</sub> |  |                            |  |  |  |  |
|                    | <b>XDHW 070210EN</b> | XDHW -(1.5)xEN | ●         | ●    |  |  |  |  |  |  |  |  |                |                  |                  |                    |                    |  |                            |  |  |  |  |
|                    | <b>XDHW 070210SN</b> | XDHW -(1.5)xSN | ●         | ●    |  |  |  |  |  |  |  |  |                |                  |                  |                    |                    |  |                            |  |  |  |  |
|                    | <b>XDHW 10T310SN</b> | XDHW -(2.5)xSN | ●         | ●    |  |  |  |  |  |  |  |  |                |                  |                  |                    |                    |  |                            |  |  |  |  |
|                    |                      |                |           |      |  |  |  |  |  |  |  |  |                |                  |                  |                    |                    |  |                            |  |  |  |  |
|                    |                      |                |           |      |  |  |  |  |  |  |  |  |                |                  |                  |                    |                    |  |                            |  |  |  |  |
|                    |                      |                |           |      |  |  |  |  |  |  |  |  |                |                  |                  |                    |                    |  |                            |  |  |  |  |
|                    |                      |                |           |      |  |  |  |  |  |  |  |  |                |                  |                  |                    |                    |  |                            |  |  |  |  |



| Velikost<br>Velkost | d      | s    | d <sub>1</sub> |  |  |
|---------------------|--------|------|----------------|--|--|
| <b>0906</b>         | 16,500 | 6,35 | 4,90           |  |  |
|                     |        |      |                |  |  |
|                     |        |      |                |  |  |
|                     |        |      |                |  |  |
|                     |        |      |                |  |  |
|                     |        |      |                |  |  |
|                     |        |      |                |  |  |
|                     |        |      |                |  |  |

Nástroje viz str. / Nástroje vid' str.: 34

| Utvařec<br>Utvarač | ISO                  | ANSI        | Materiály |  |  |  |  |  |  |  |  |  | Rádus          |                  |                  | Posuv na zub       |                    |  | Hloubka řezu<br>Hĺbka rezu |  |  |  |  |
|--------------------|----------------------|-------------|-----------|--|--|--|--|--|--|--|--|--|----------------|------------------|------------------|--------------------|--------------------|--|----------------------------|--|--|--|--|
|                    |                      |             | 8230      |  |  |  |  |  |  |  |  |  | r <sub>ε</sub> | f <sub>min</sub> | f <sub>max</sub> | a <sub>p min</sub> | a <sub>p max</sub> |  |                            |  |  |  |  |
|                    | <b>XNGX 0906ANSN</b> | XNGX -4ANSN | ●         |  |  |  |  |  |  |  |  |  |                |                  |                  |                    |                    |  |                            |  |  |  |  |
|                    |                      |             |           |  |  |  |  |  |  |  |  |  |                |                  |                  |                    |                    |  |                            |  |  |  |  |
|                    |                      |             |           |  |  |  |  |  |  |  |  |  |                |                  |                  |                    |                    |  |                            |  |  |  |  |
|                    |                      |             |           |  |  |  |  |  |  |  |  |  |                |                  |                  |                    |                    |  |                            |  |  |  |  |
|                    |                      |             |           |  |  |  |  |  |  |  |  |  |                |                  |                  |                    |                    |  |                            |  |  |  |  |

● skladovaný ○ neskladovaný

všechny rozměry v / všetky rozmery v [mm]

Aktuální sortiment je dán platným ceníkem. / Aktuálny sortiment je daný platným ceníkom.

ROVINNÉ FRÉZY  
ROVINNÉ FRÉZY

STOPKOVÉ FRÉZY  
STOPKOVÉ FRÉZY

KOPÍROVACÍ FRÉZY  
KOPÍROVACIE FRÉZY

VÁLCOVÉ FRÉZY  
VÁLCOVÉ FRÉZY

KOTOUČOVÉ FRÉZY  
KOTUČOVÉ FRÉZY

**ŘEZNÉ DESTIČKY  
REZNÉ DOŠTIČKY**